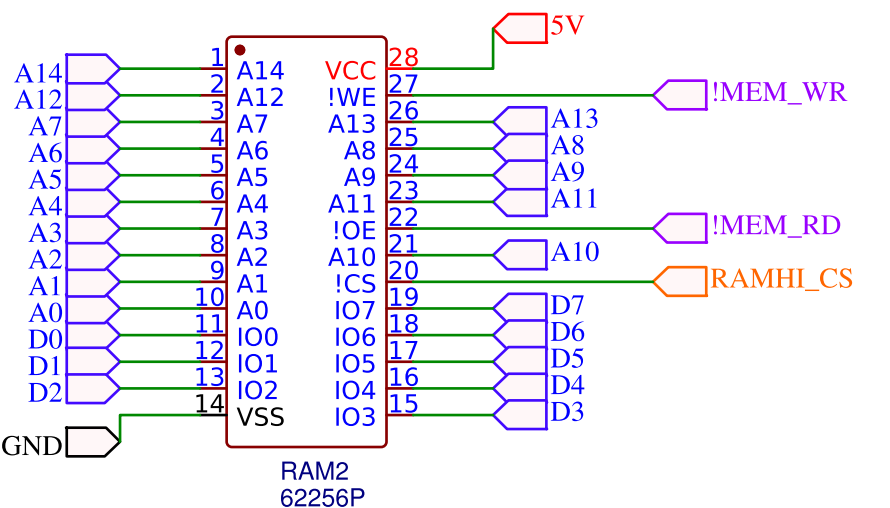
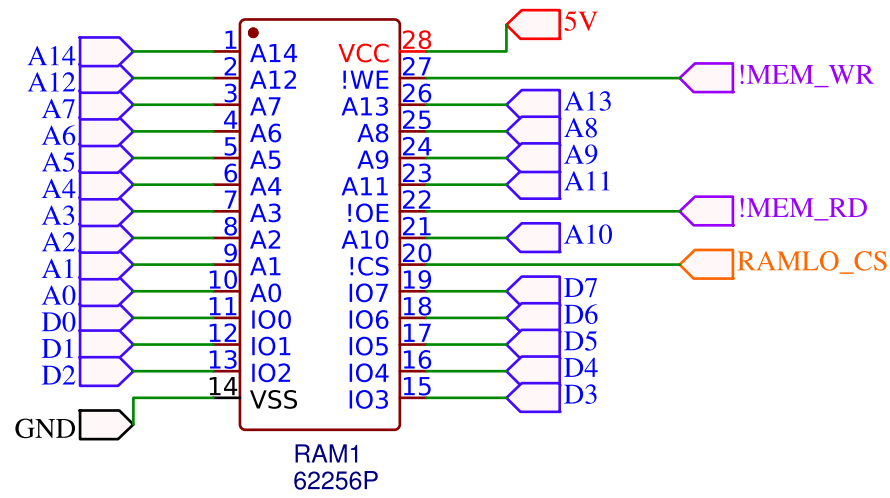
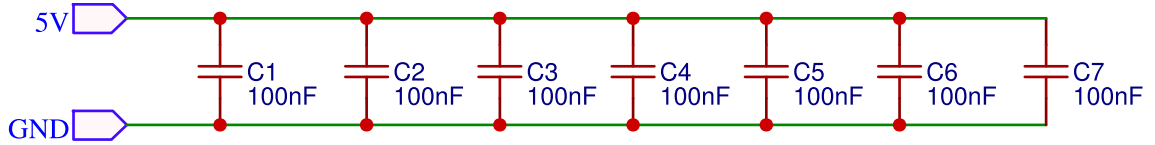
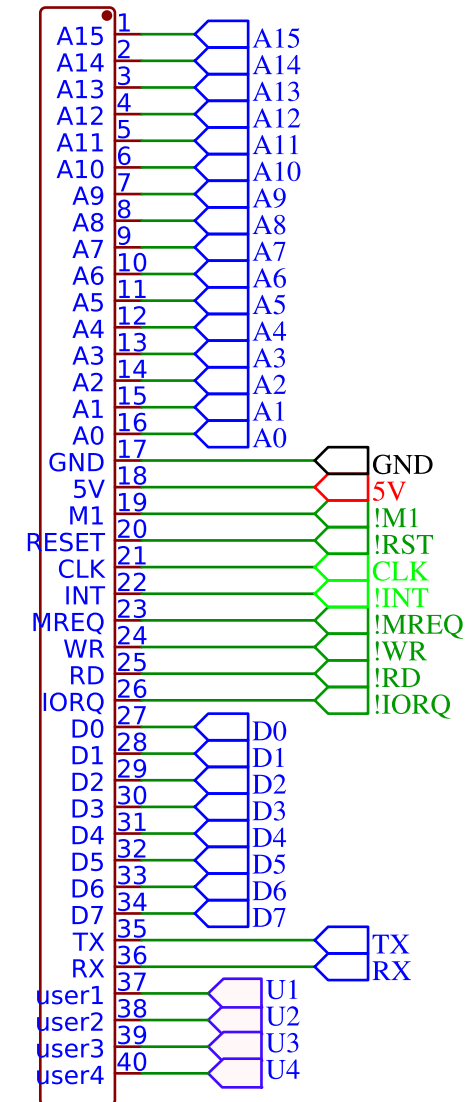
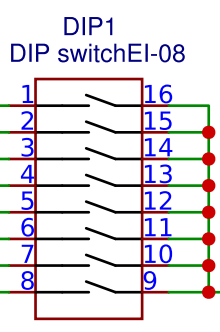
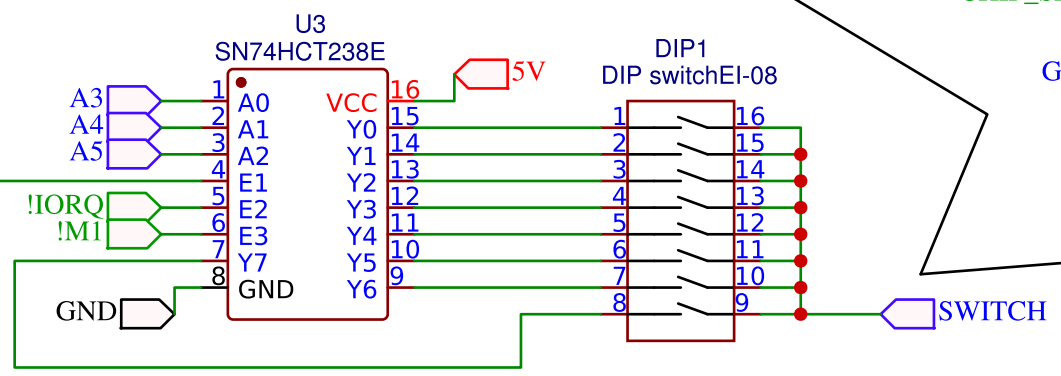
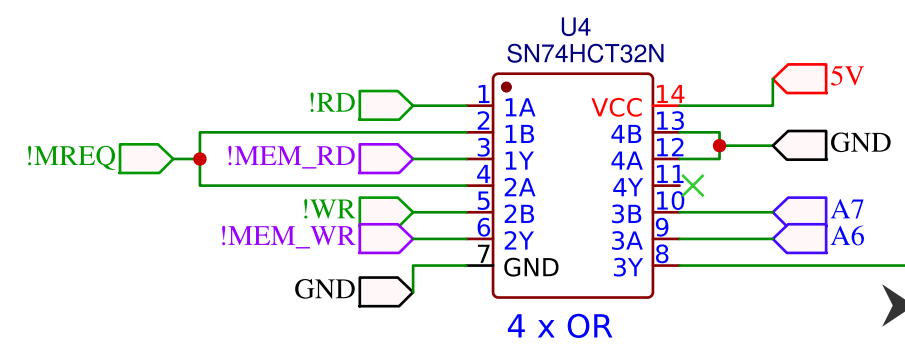
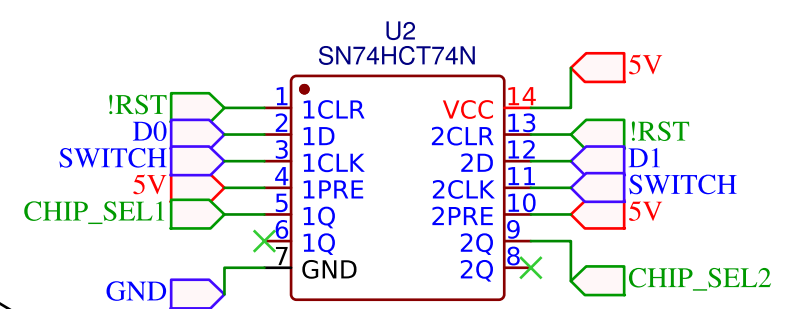
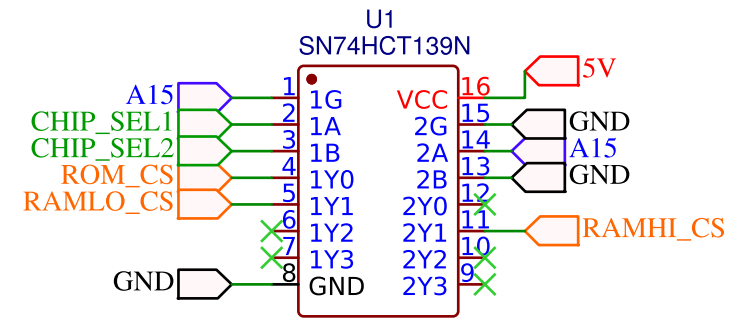
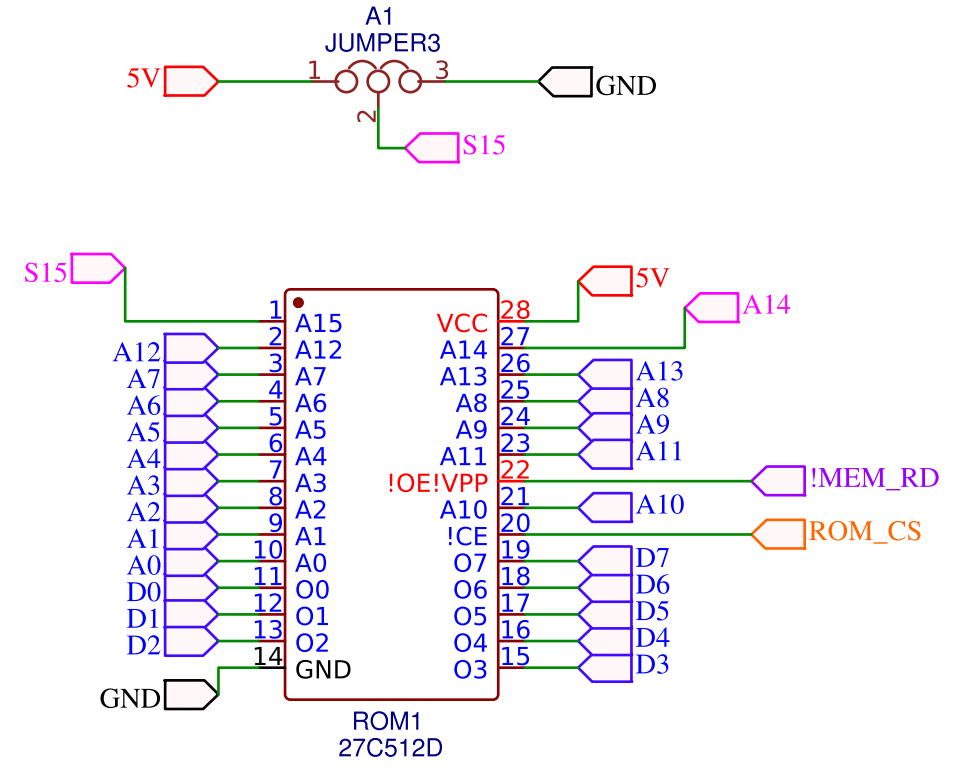


RC40\_BUS  
2.54mm 1x40P



Upper / Lower  
32k ROM bank



TITLE: <b>#42 Memory Module</b>		REV: C
Date: 2018-11-29	Sheet: 1/1	
EasyEDA V5.8.22	Drawn By: karlab	