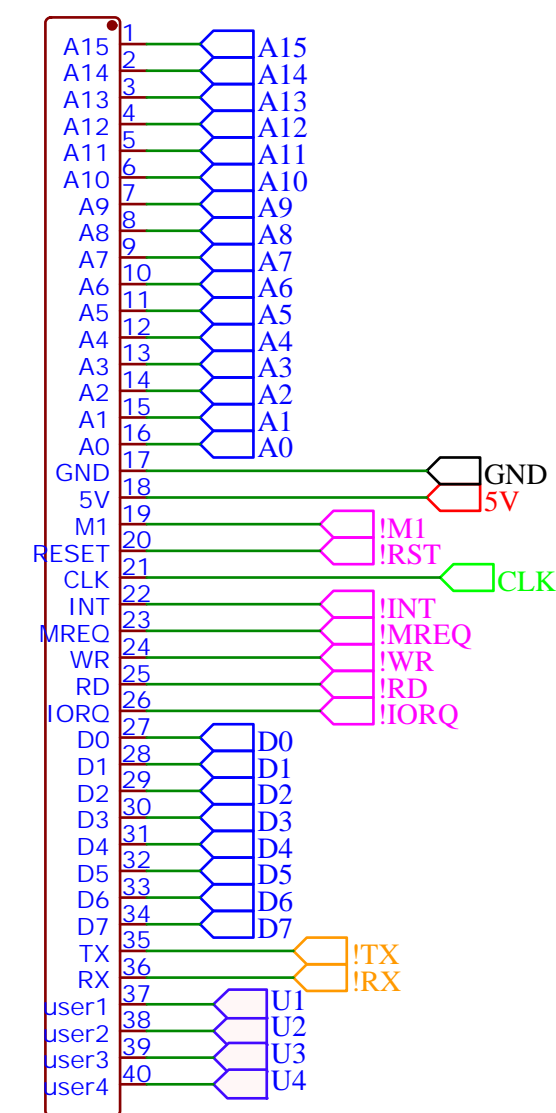
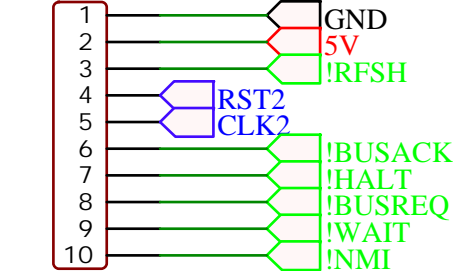


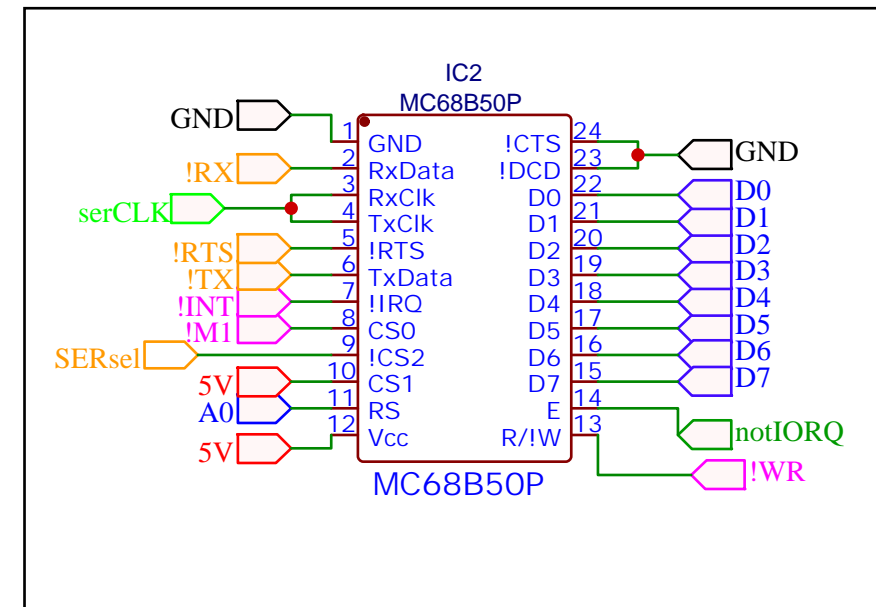
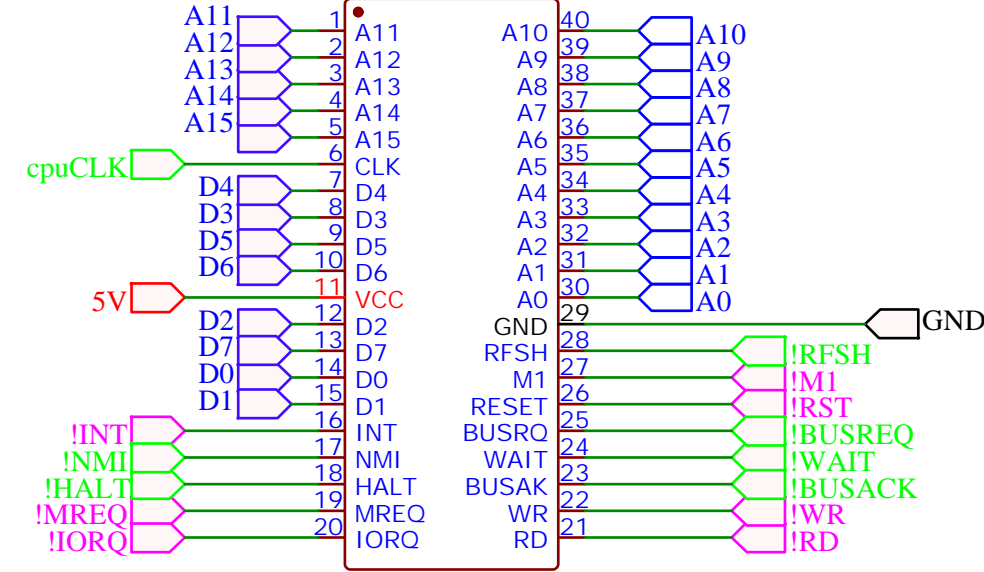
RC40\_BUS  
2.54mm 1x40P



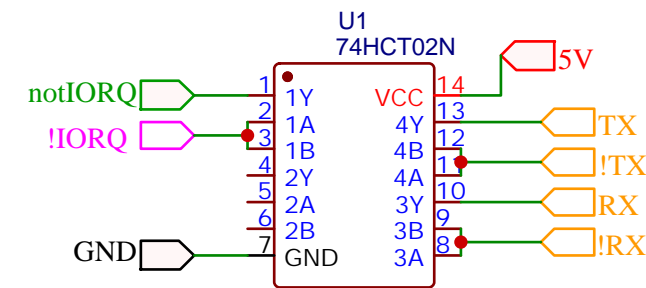
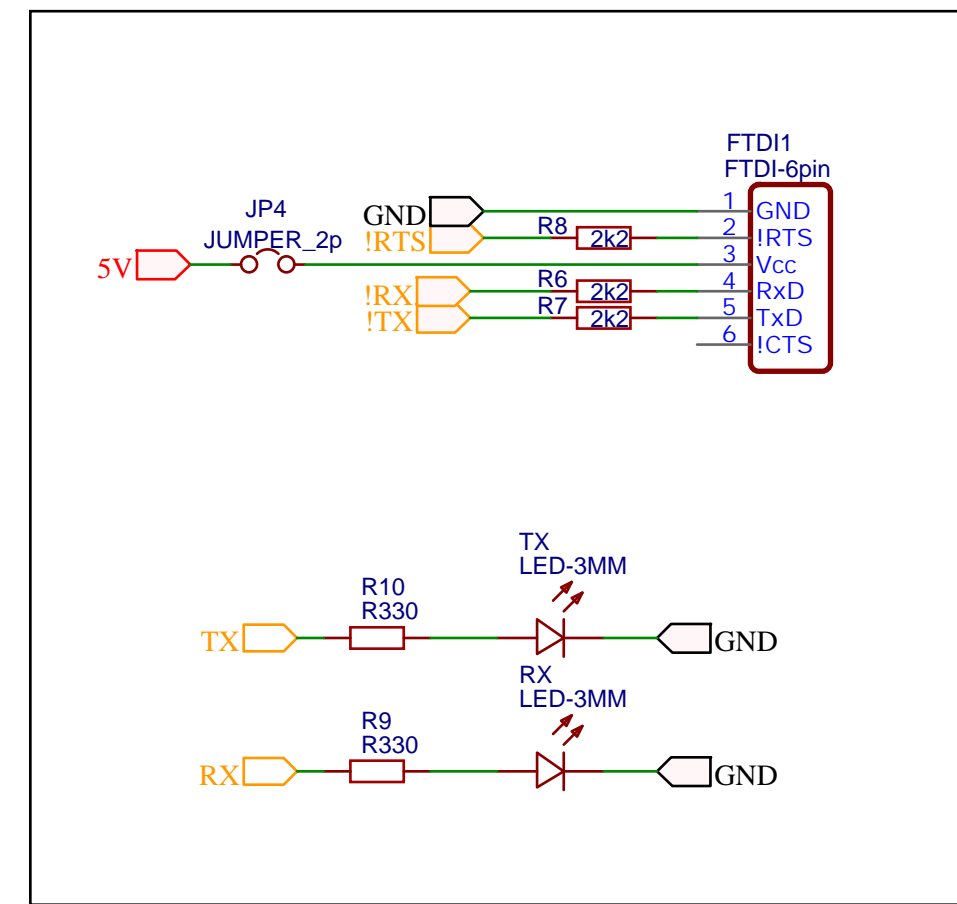
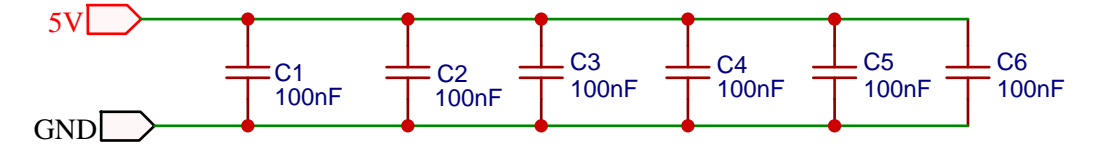
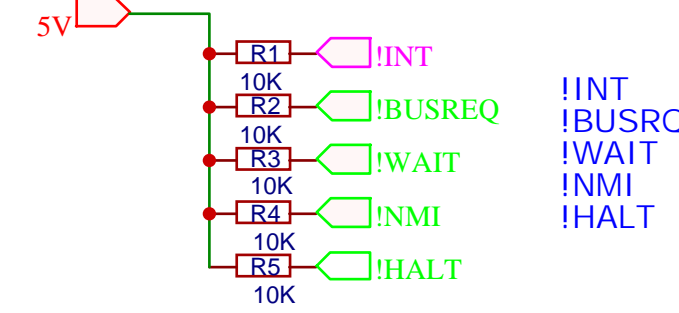
EXT\_BUS  
2.54mm 1\*10P Straight Female header Gold-plated



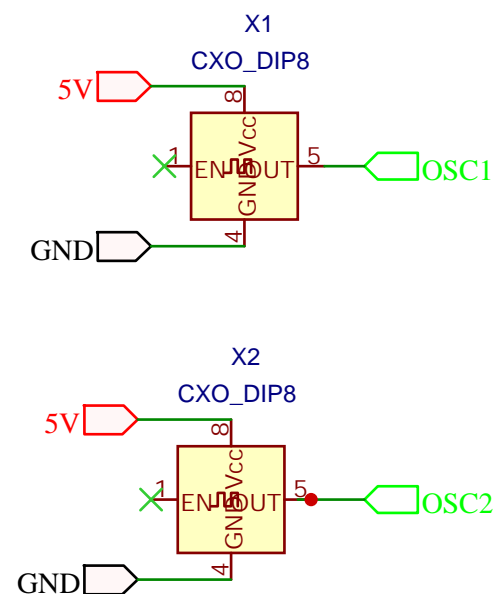
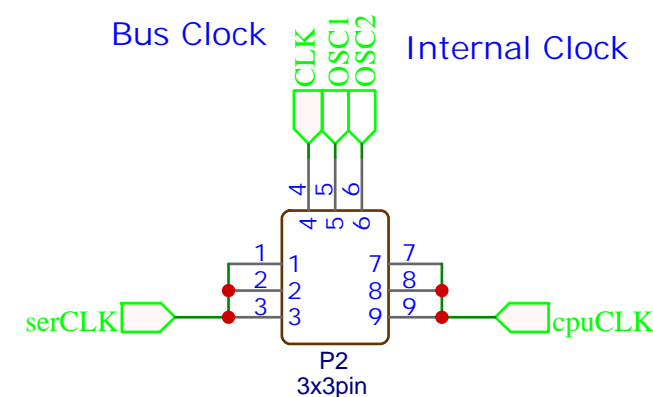
IC1  
Z80CPU



Pull Signals High



Clock and Clock Select



ADDRESS LOGIC

