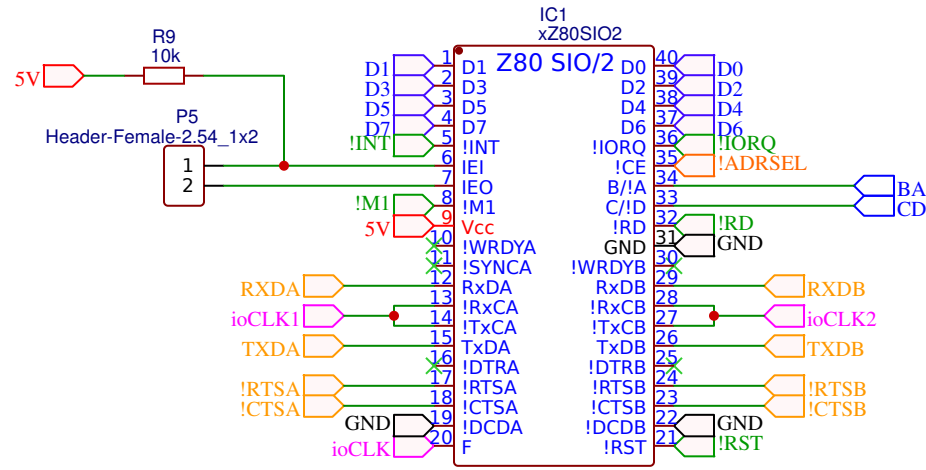
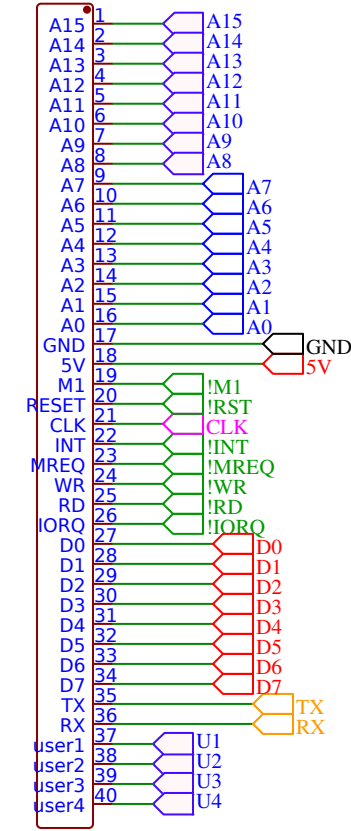
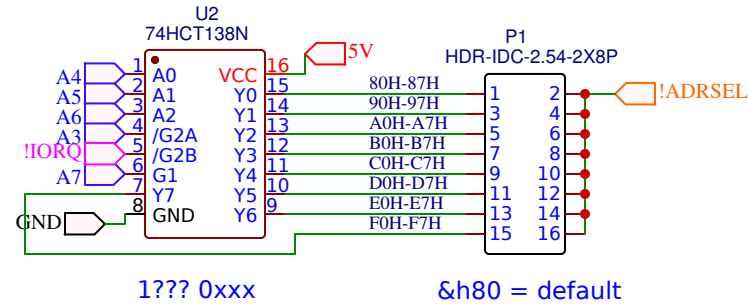


RC40\_BUS  
2.54mm 1x40P

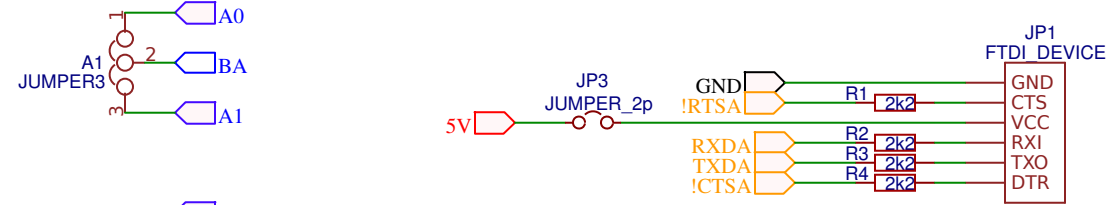


ADDRESS LOGIC

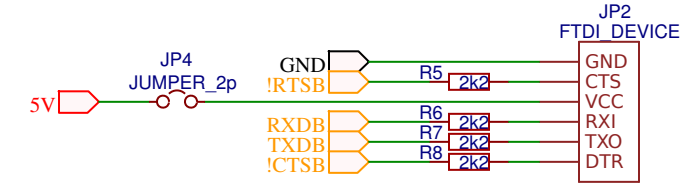


1??? 0xxx      &h80 = default

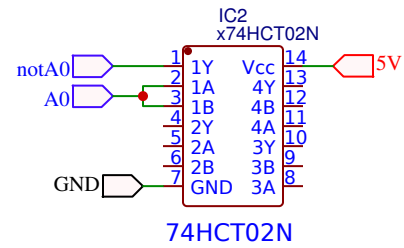
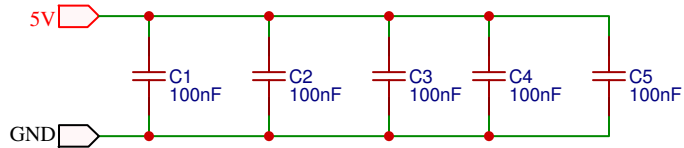
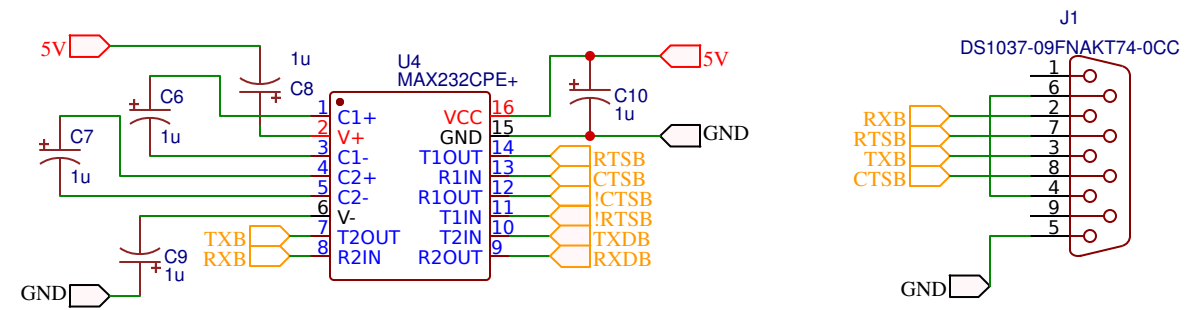
FTDI Port A



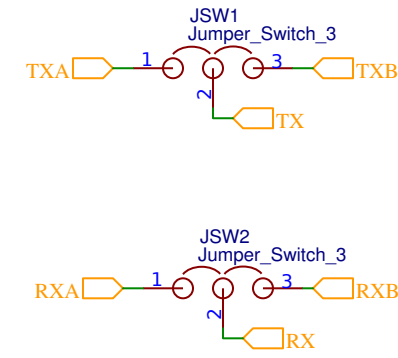
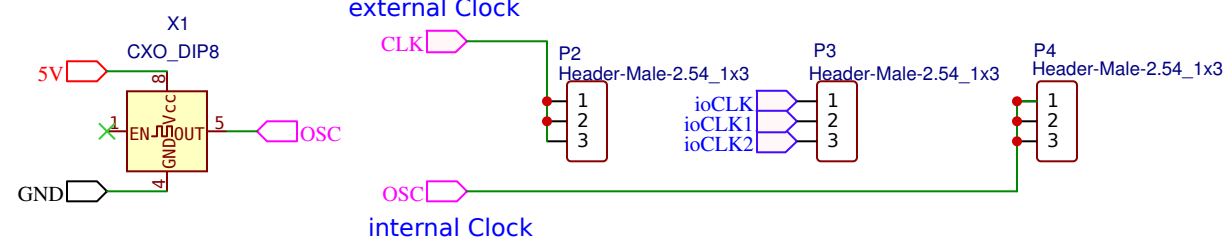
FTDI Port B



RS232 port (MAX232)



Clock and Clock Select



TITLE: 35 Serial Z80 SIO/2 with RS232		REV: B
Company: Your Company		Sheet: 1/1
Date: 2019-03-25	Drawn By: karlab	