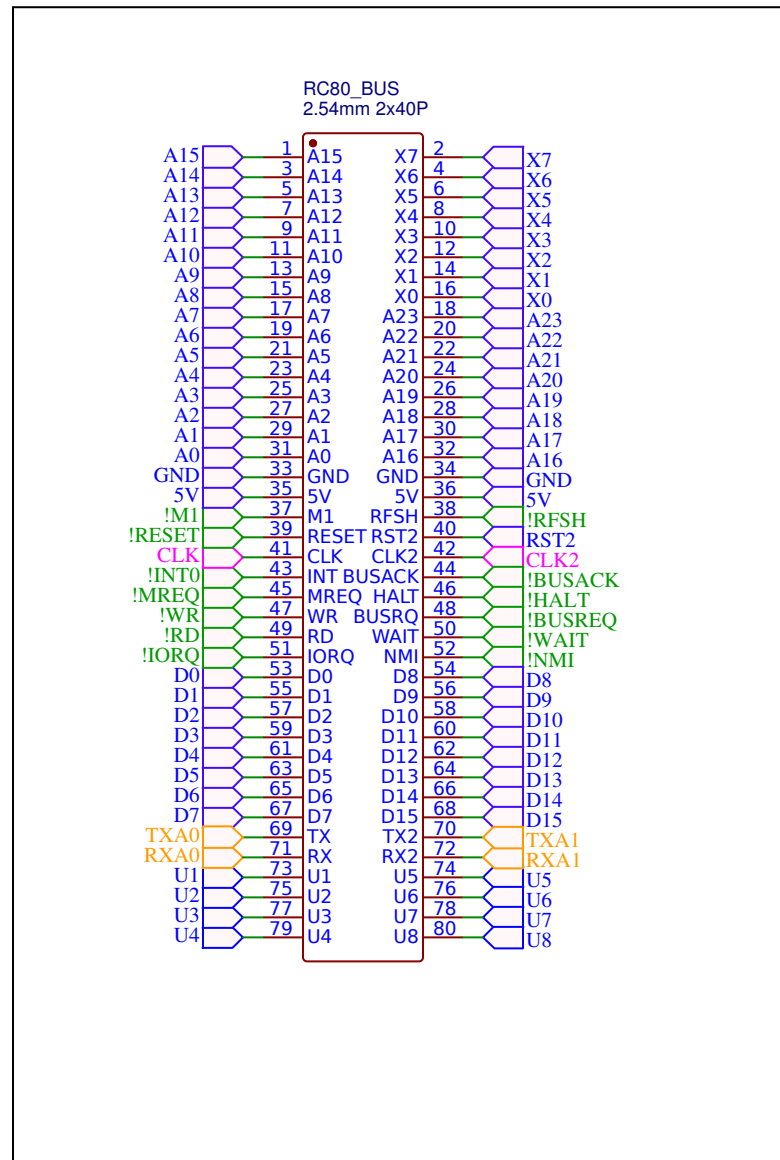
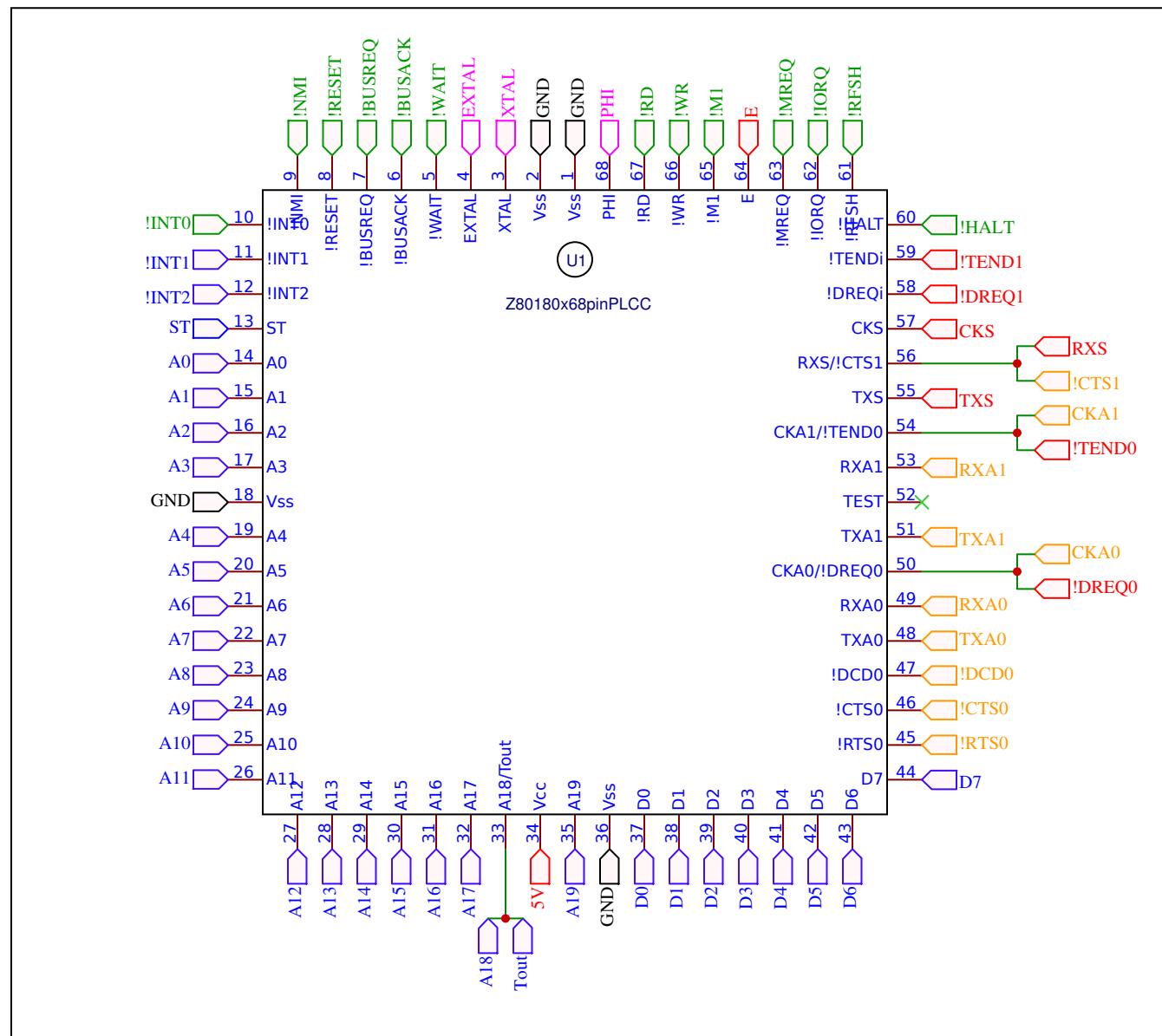


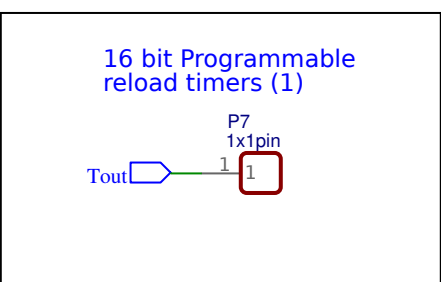
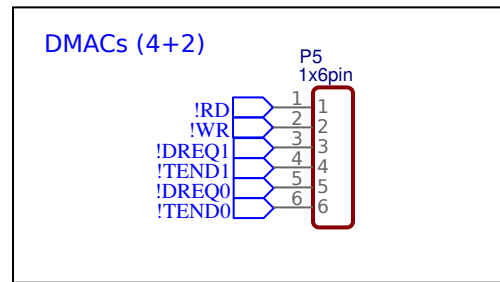
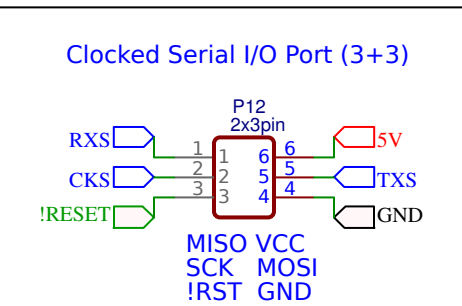
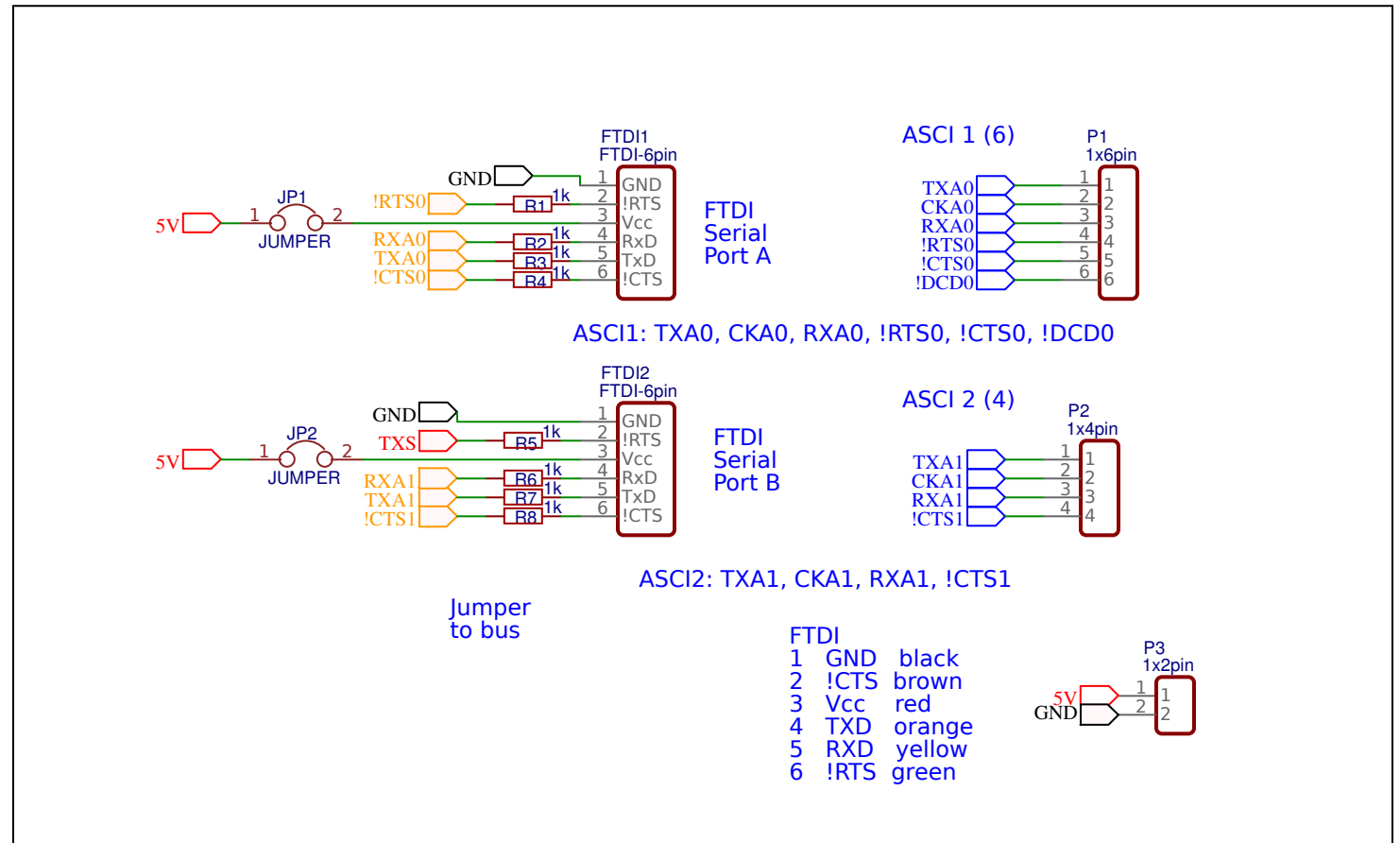
The RC80 Bus



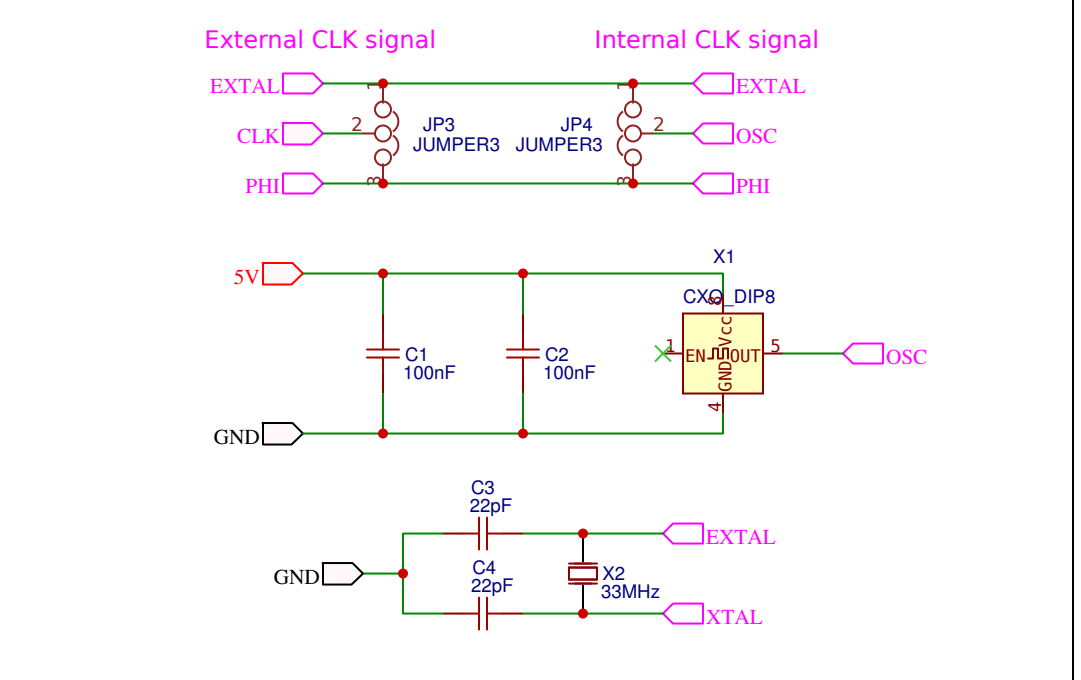
Z180 CPU
Z8S18033VSG



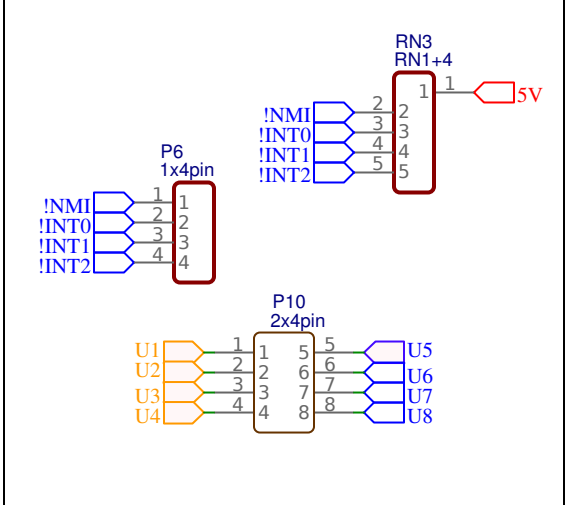
Dual Serial Interface



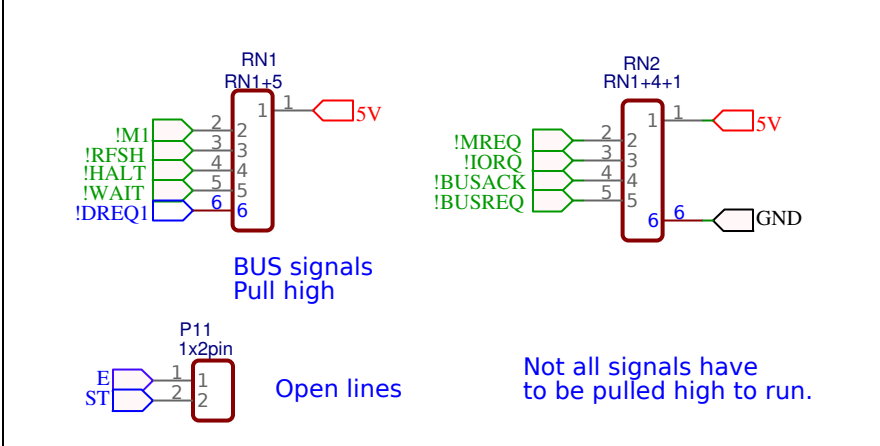
Clock and Clock Select



Interrupt Signals



BUS CONTROL Headers & Connections



Access to extra pins on bus

