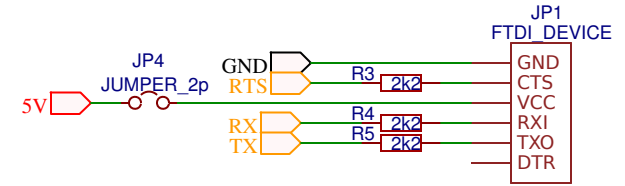
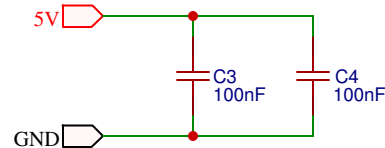
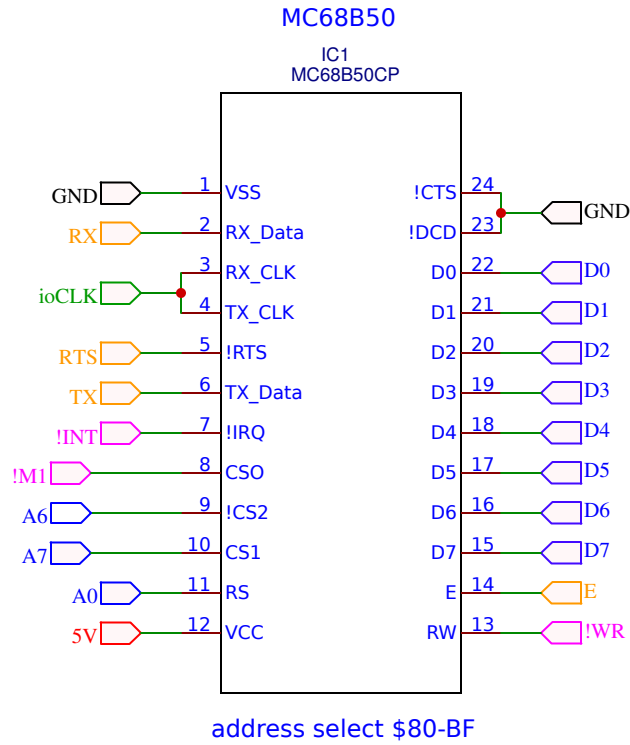
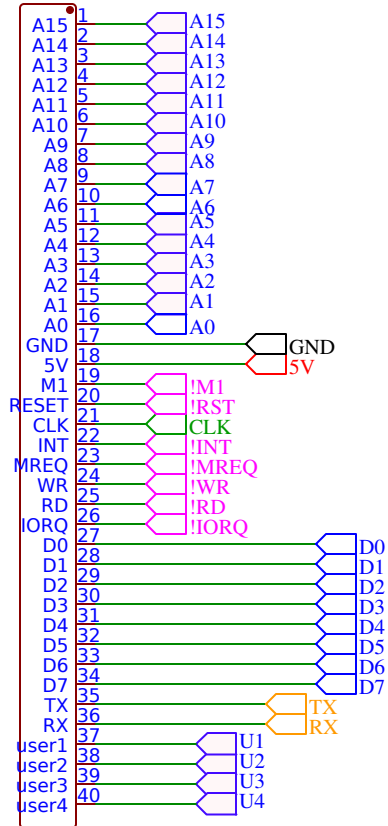
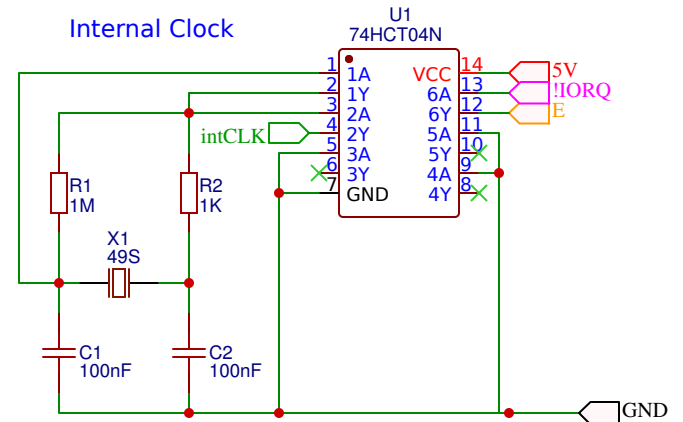
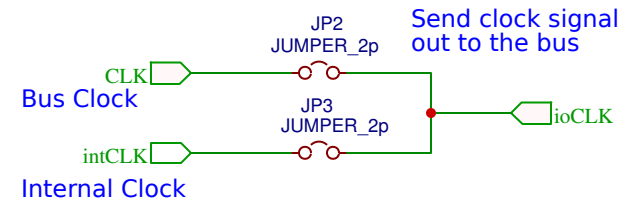


RC40\_BUS  
2.54mm 1x40P



Clock and Clock Select  
+ Glue logic



TITLE: <b>31 Serial I/O and Clock</b>		REV: E
Date: 08.02.2019	Sheet: 1/1	
EasyEDA V5.3.14	Drawn By: karlab	