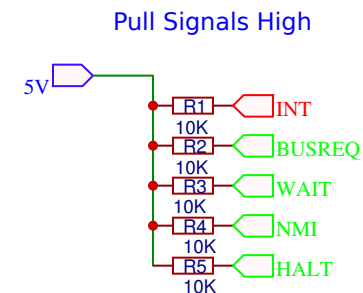
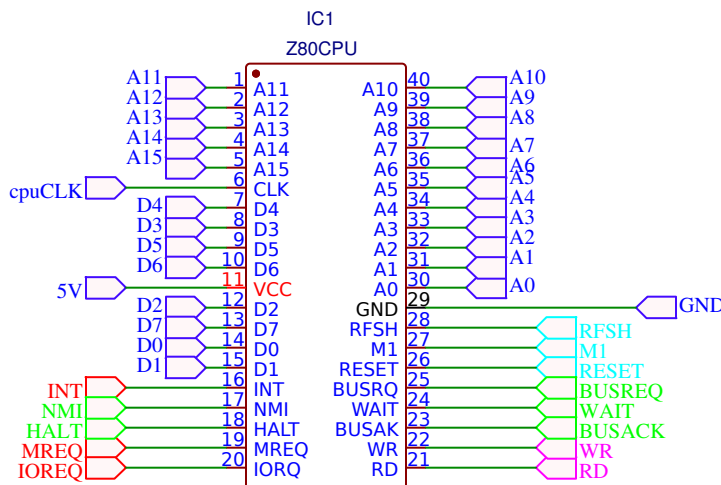
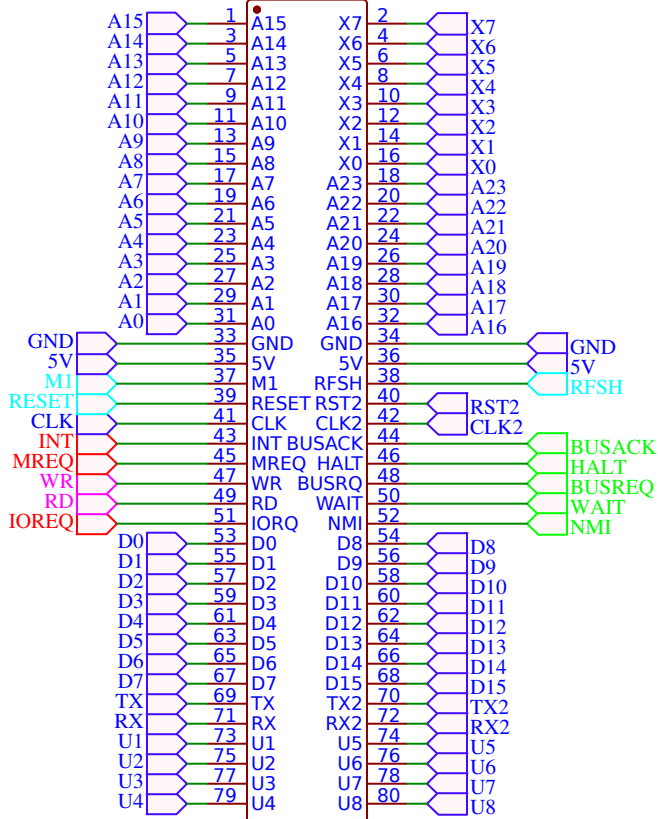
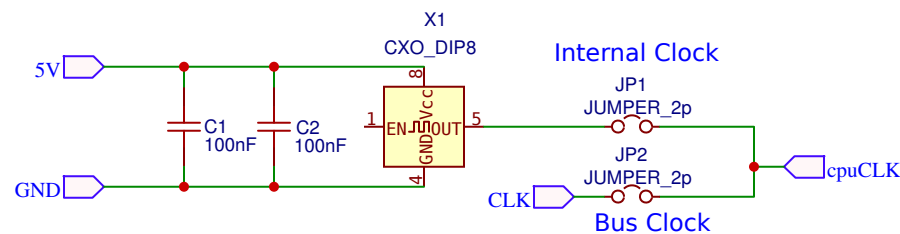


RC2014_EXTENDED_BUS
2.54mm 2x40P



Clock and Clock Select



TITLE: 23 Z80 CPU and CLOCK		REV: C
Date: 21.06.2018	Sheet: 1/1	
EasyEDA V5.4.11	Drawn By: karlab	