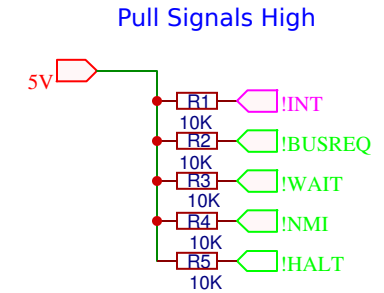
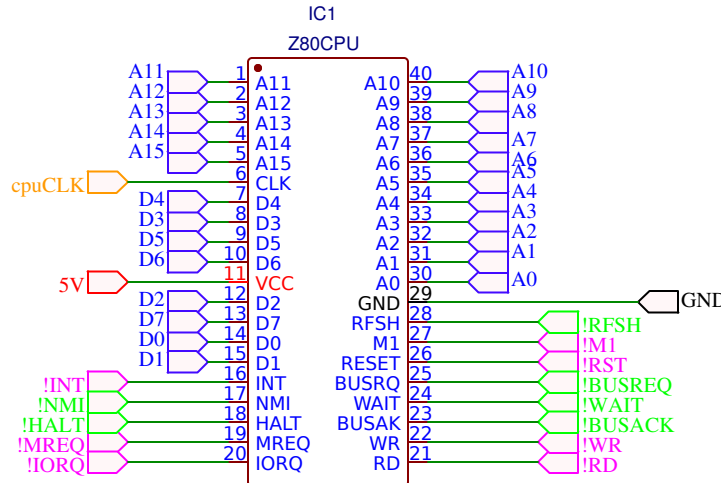
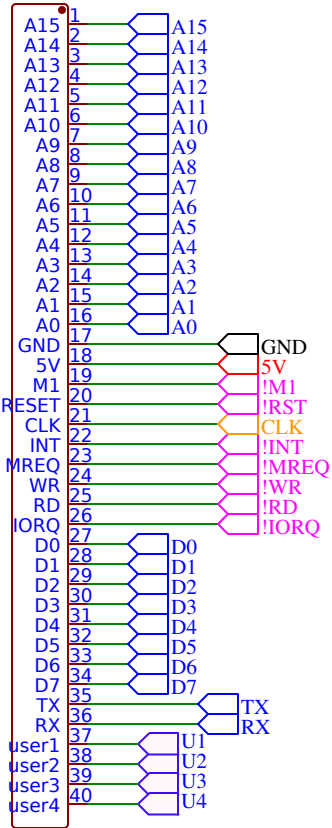
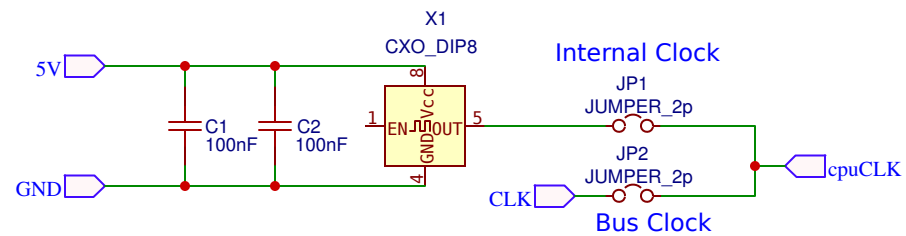


RC40\_BUS  
2.54mm 1x40P

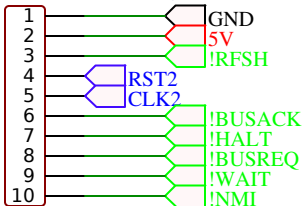


!INT  
!BUSREQ  
!WAIT  
!NMI  
!HALT

Clock and Clock Select



EXT\_BUS  
2.54mm 1\*10P Straight Female header Gold-plated



TITLE: 22 CPU and CLOCK with EXTENDED BUS		REV: C
Date: 2018-05-04		Sheet: 1/1
EasyEDA V5.4.11	Drawn By: karlab	