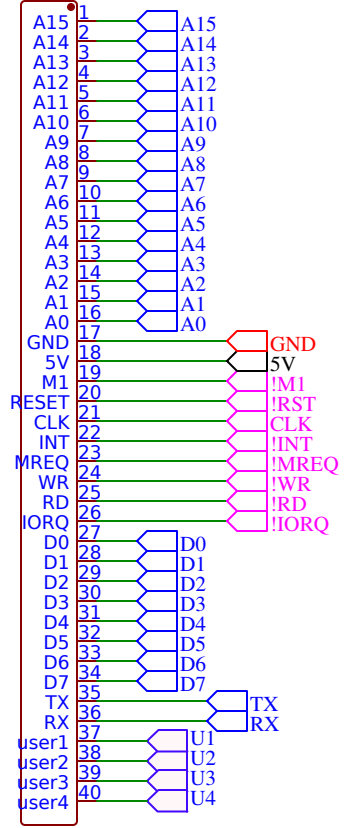
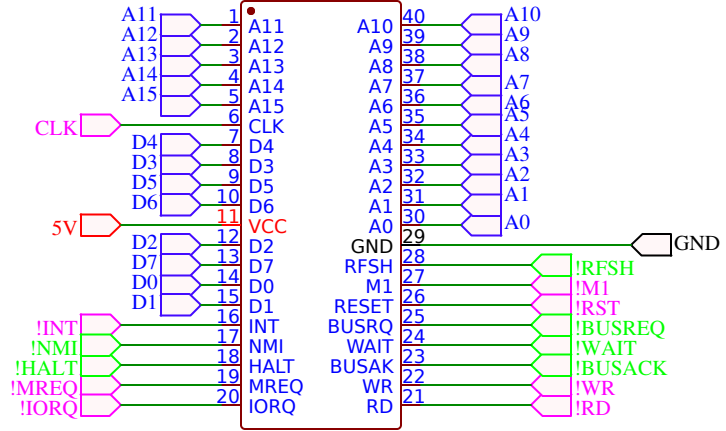


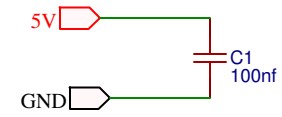
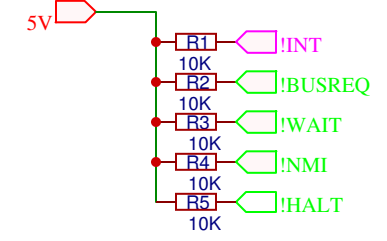
RC40_BUS
2.54mm 1x40P



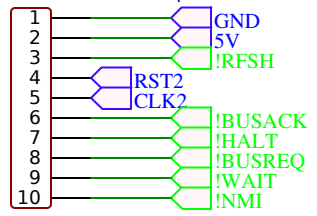
IC1
Z80CPU



Pull Signals High



EXT_BUS
2.54mm 1*10P Straight Female header Gold-plated



GND
5V
RFSH
RST2
CLK2
BUSACK
HALT
BUSREQ
WAIT
NMI

TITLE: 12 Z80 CPU Module		REV: E
Date: 21.08.2018	Sheet: 1/1	
EasyEDA V5.4.11	Drawn By: karlab	