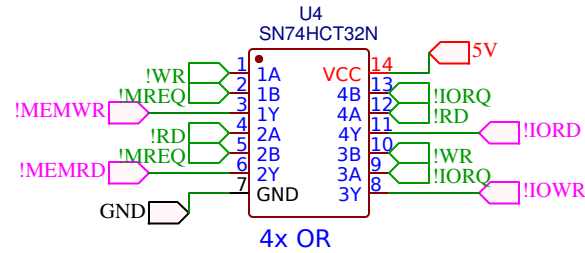
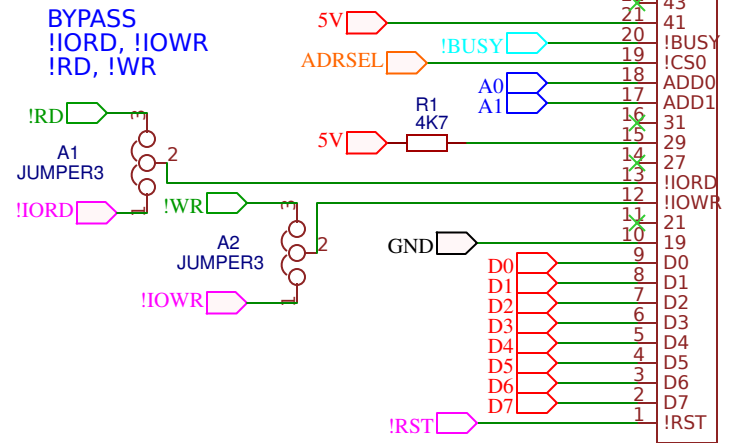
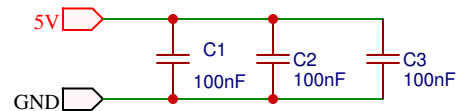
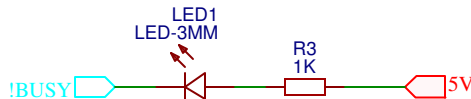
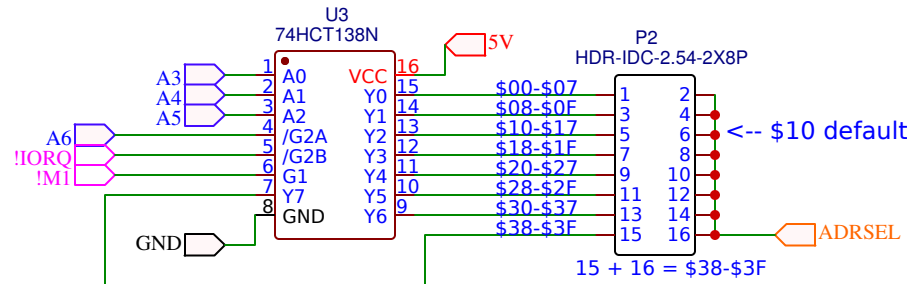


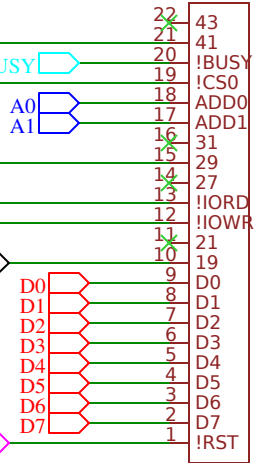
### GENERATE BASIC SIGNALS



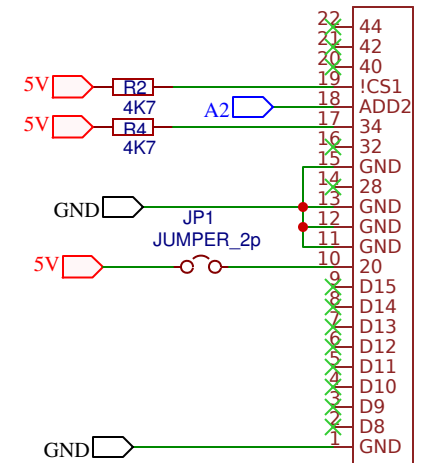
### ADDRESS LOGIC



### U1 FRONT



### U2 BACK



42 = 41 = 5V

TITLE: 10c Compact Flash Card Module		REV: C
EasysEDA	Company: Your Company	Sheet: 1/1
	Date: 2019-01-11	Drawn By: karlab